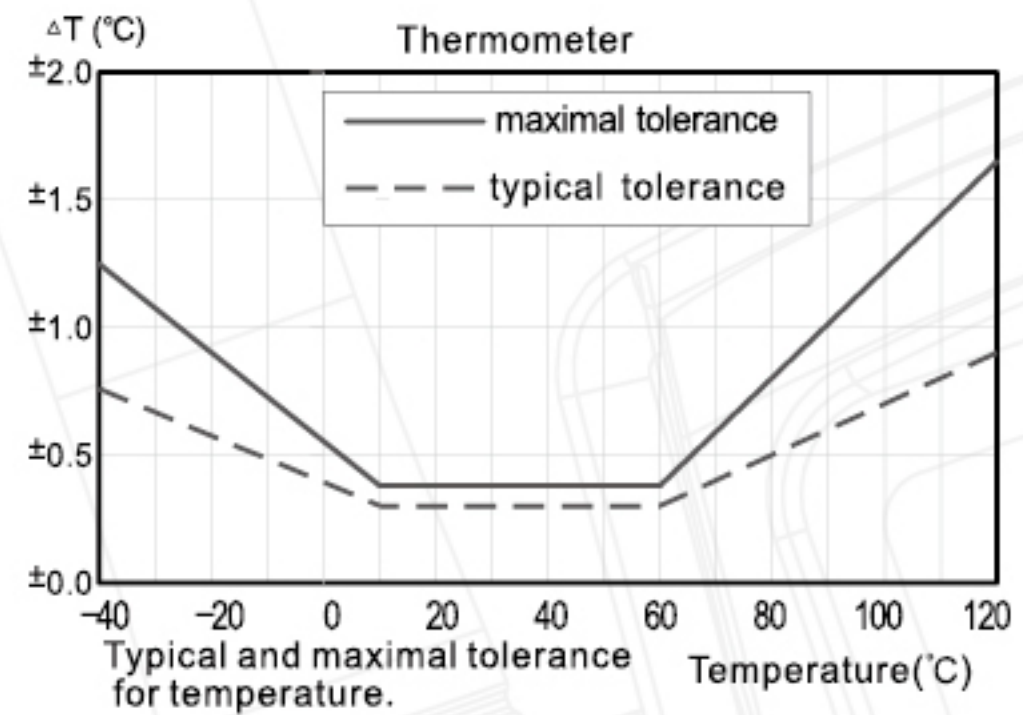
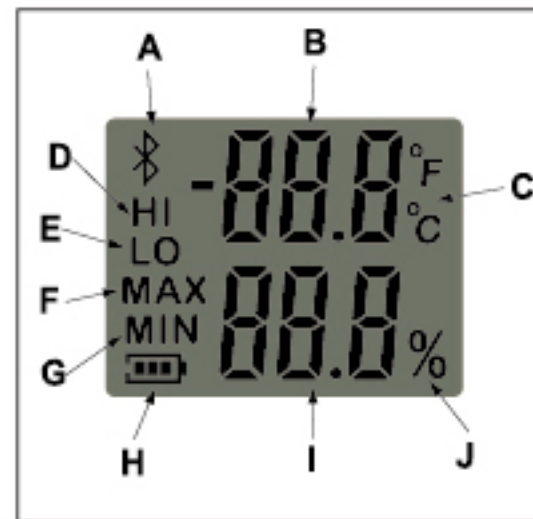


Specification		
Items	Temperature	Humidity
Measuring range	-30~80°C	0~100%RH
Memory size	32256	
Power	1/2AA 3.6V Lithium Battery	
Size	126*28*22mm	
Weight	49g	
Accessories: Cover, Bracket, Screw*2, CD, Lithium Battery		

Specification					
Parameter	Condition	Min	Typical	Max	Units
Accuracy	-30~80°C		±0.3		°C
Tolerance					°C
Repeatability	Max				°C
Response Time	τ63%	5		30	S
Operating Range	extended	-40		125	°C
Long Term Drift			<0.04		°C/yr

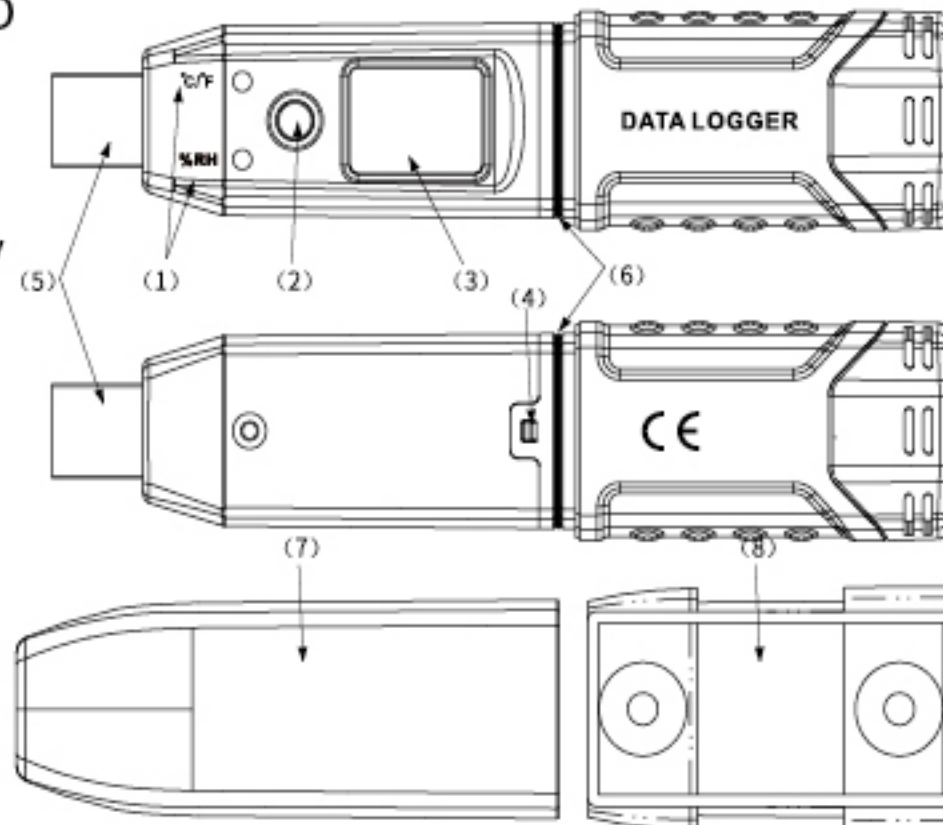
LCD display

- 1.Blue tooth
- 2.Temperature reading
- 3.Temperature unit
- 4.Upper limit overflow
- 5.Lower limit overflow
- 6.Max value
- 7.Min value
- 8.Battery volume
- 9.Humidity reading
- 10.Humidity unit

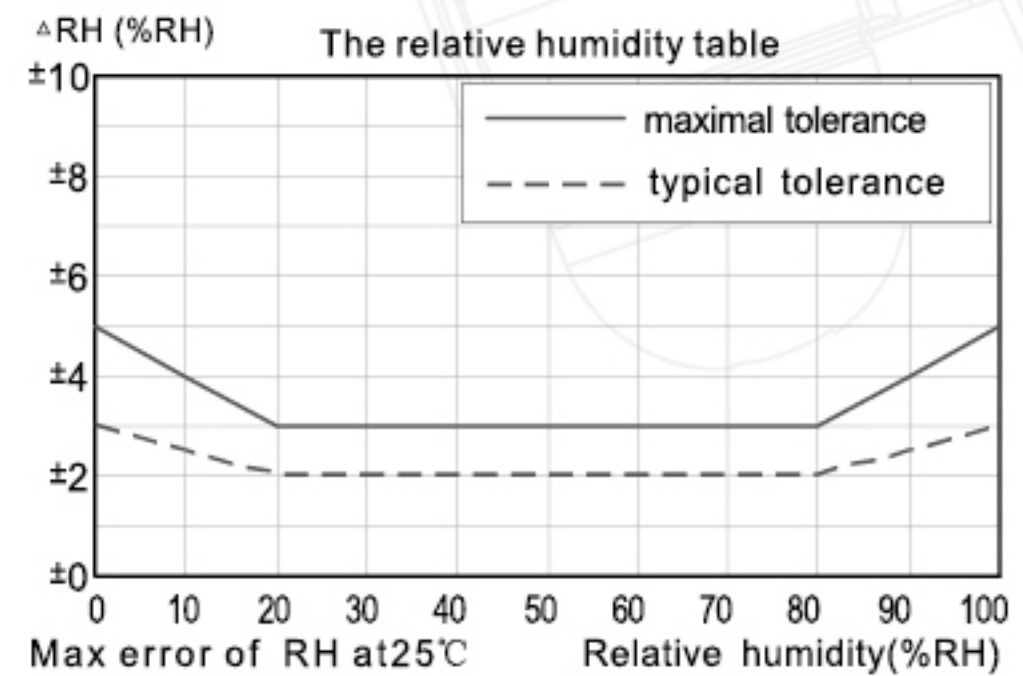


Structure of the device

- 1.Overflow alarm LED
- 2.Key
- 3.LCD
- 4.Position for battery replacement
- 5.USB interface
- 6.Waterproof rubber ring
- 7.Transparent waterproof cover
- 8.Bracket



Specification					
Parameter	Condition	Min	Typical	Max	Units
Accuracy	typical		±2		%RH
Tolerance	Max				%RH
Repeatability			±0.1		%RH
Repeatability			±1		%RH
Repeatability			<0.1		%RH
Response Time	τ63%		8		S
Operating Range	extended	0		100	%RH
Long Term Drift	normal		<0.5		%RH/yr



LINE ID: @neonics

